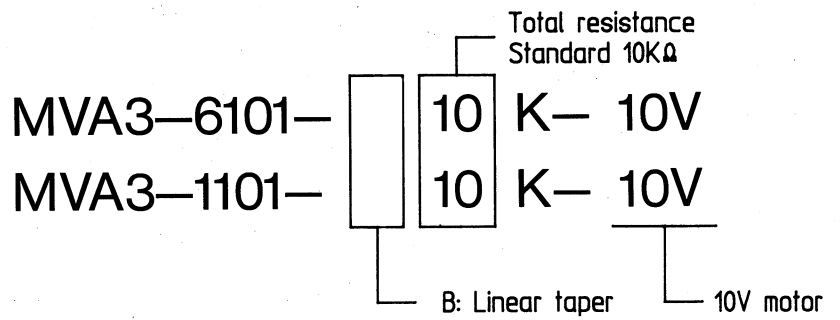
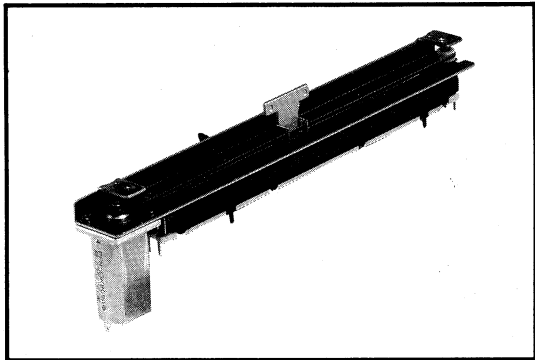


# MOTOR FADERS

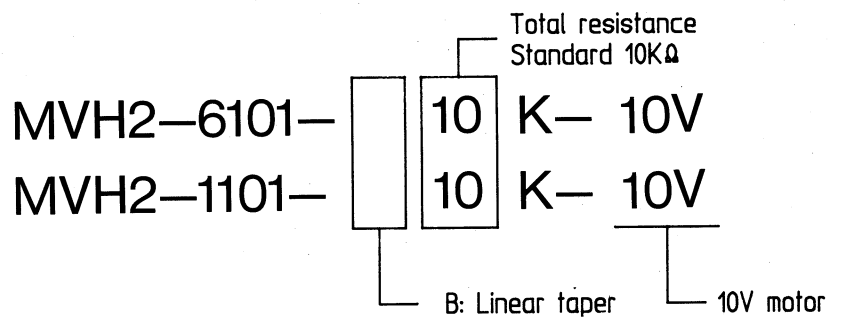
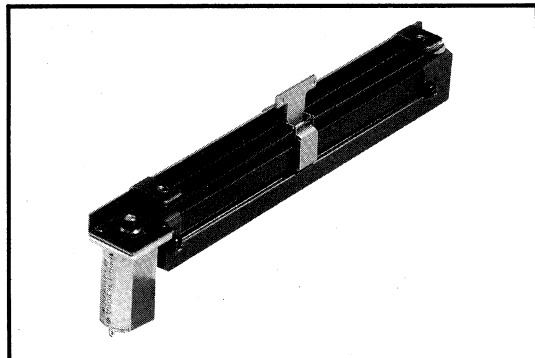
**MVA3-6101**  
**MVA3-1101**

## 形名指定方法 Numbering System



**MVH2-6101**  
**MVH2-1101**

## 形名指定方法 Numbering System

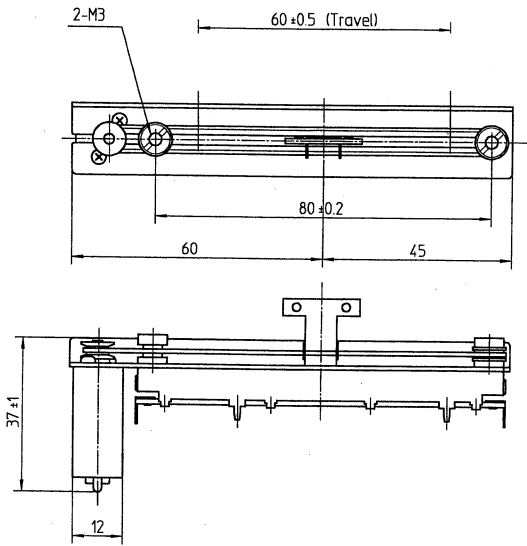


## 仕 様 Specifications

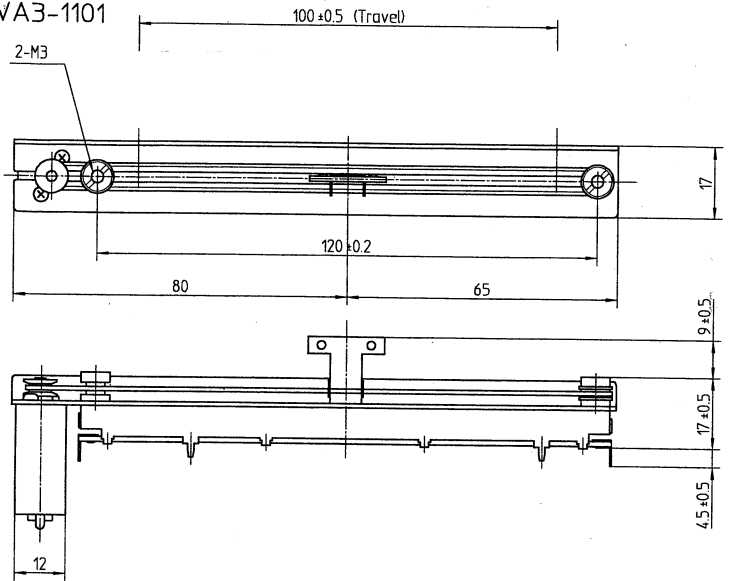
形 名	MODEL	MVA3 MVH2	Option
		Linear taper	knob: CP-2- <input type="checkbox"/>
抵抗変化特性	output law		
全抵抗値(許容差±20%)	total resistance±20%	10K $\Omega$ (standard)	
定格	power rating	0.2W max	
絶縁抵抗	insulation resistance	50M $\Omega$ or more at DC 100V	

## 外形图 Dimensions

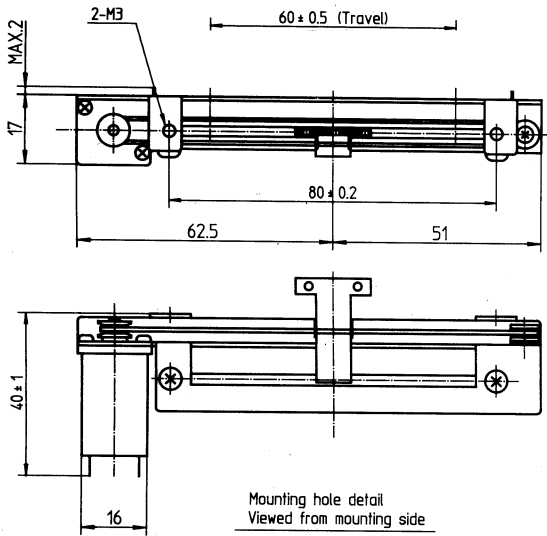
MVA3-6101



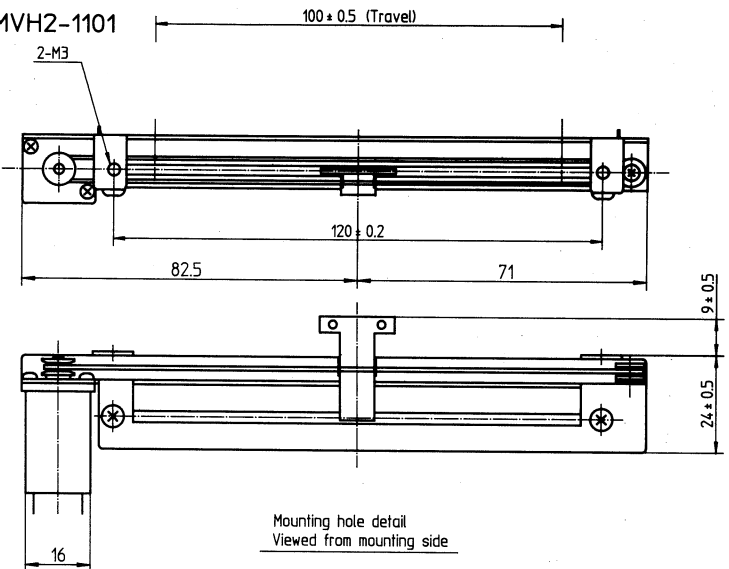
MVA3-1101



MVH2-6101

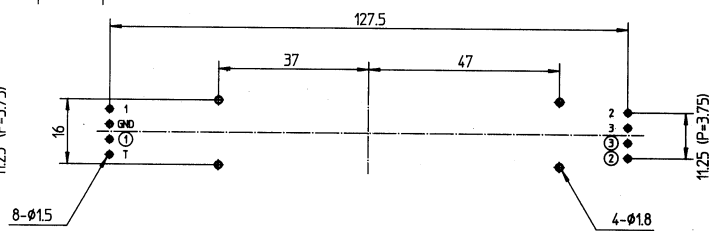
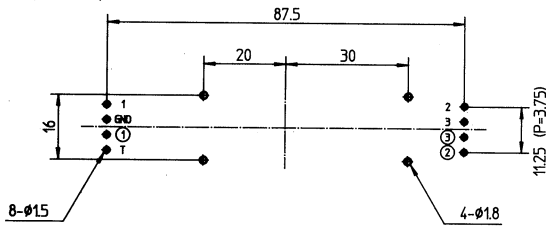


MVH2-1101

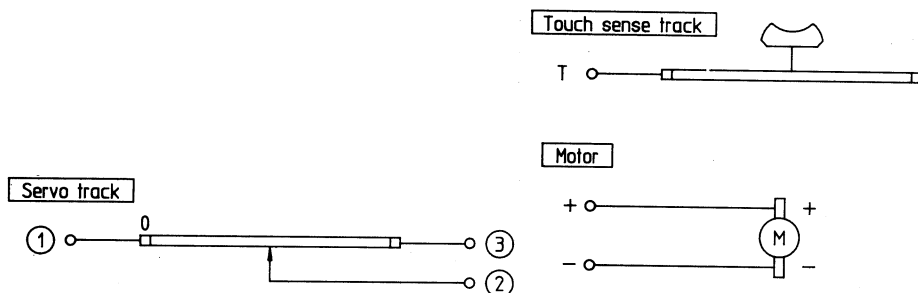


Mounting hole detail  
Viewed from mounting side

Mounting hole detail  
Viewed from mounting side



## 回路图 Circuit



## 端子形状 Terminal style

