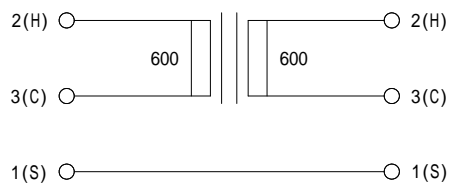
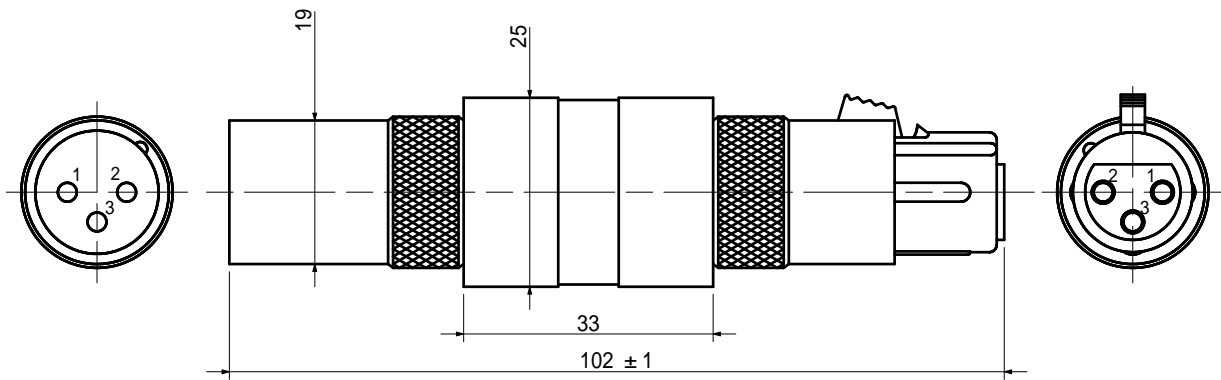
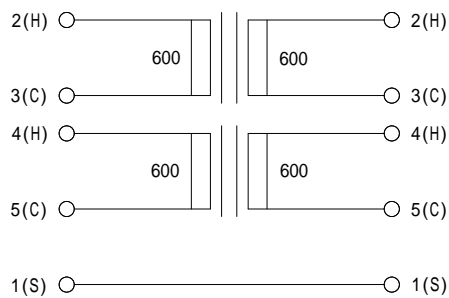
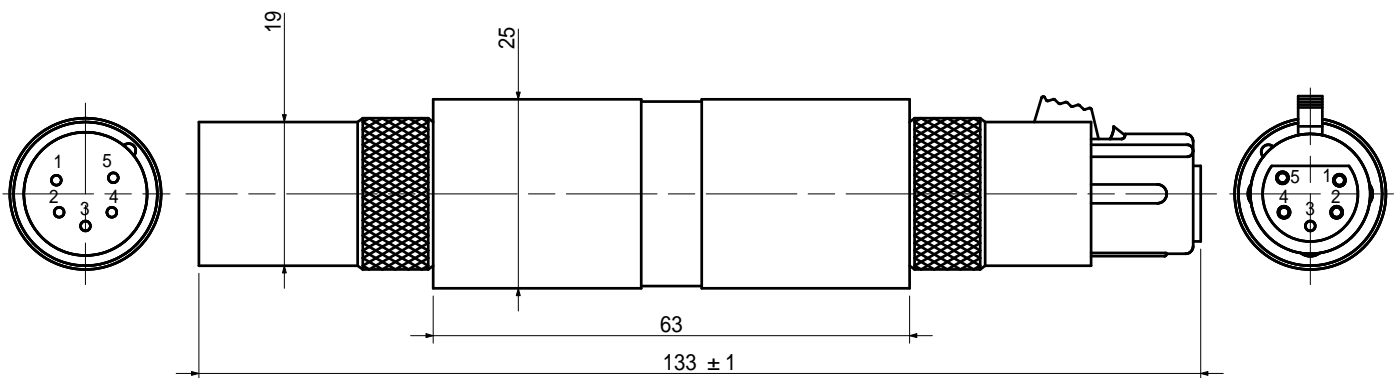


CTR Series



CTR-21/06-06



2CTR-21/06-06

specifications

input impedance	600ohm (balanced)
output impedance	600ohm (balanced)
max input level	0dBm
frequency range	30Hz - 20kHz ±1dB or less